

- \* High Reliability
- \* High Noise Resistance
- \* Wide operating voltage
- \* Low current consumption
- \* Harsh circumstances suitable

- \* 高可靠度
- \* 高抗干擾力
- \* 廣泛工作電壓範圍
- \* 低耗電高效能
- \* 適用於惡劣環境不怕粉塵



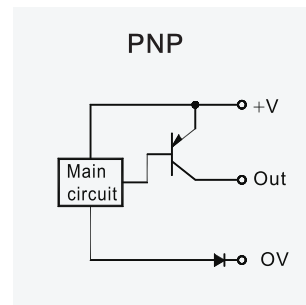
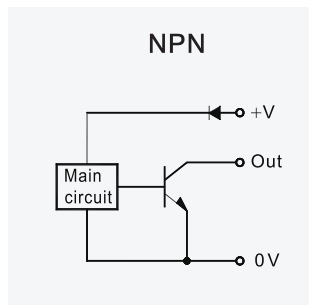
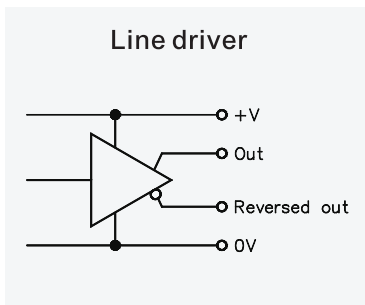
### Guiding of model Incremental type 型號索引

Ex **MES - 2500 D - E - 8Φ - M12**

1      2    3    4    5    6

1	<b>Product (產品代號) :</b> 「MES」 = 40Φ Magnetic Incremental Encoder 「MET」 = 50Φ Magnetic Incremental Encoder 「MEN」 = 30Φ Magnetic Incremental Encoder 「MEP」 = Plate type Magnetic Incremental Encoder	4	<b>Structure strength MET type only</b> 「E」 : Heavy duty type 「Non」 : Standard type
		5	<b>Shaft diameter (轉軸外徑) :</b> 「Non」 = 6.0 mm 「8Φ」 = 8.0 mm 「H8」 = Hole shaft 8.0 mm 「H10」 = Hole shaft 10.0 mm
2	<b>Resolution (解析度) : 4PPR ~ 4096 PPR</b> 「05」 = 5 PPR 「500」 = 500 PPR 「2500」 = 2500 PPR		
3	<b>Output method (輸出方式) :</b> 「D」 = Line driver 「N」 = NPN 「P」 = PNP	6	<b>Option (附加功能) :</b> 「Non」 = Cable lead wire 「PG」 = M12 Lead wire 「M12」 = M12 connection MET type only 「ZL」 = Z Phase low level output 「MW」 = Meter wheel type
Note	<b>1&gt; Pulse per Revolution (PPR)</b> 5,10,20,30,40,50,60,100,120,150,180,200,250,300,360,400,500,512,600,720,800,1000,1024,1200,1500,1800,2000,2048,2500 <b>2&gt; It is accepted to manufacture for special resolution.</b> 可接受訂製非規格的解析度。		

### Output circuit / 輸出回路



### Note

「Z phase」 standard output level is 「High level」, if require 「Low level」 output, Please order 「ZL」 type.  
 標準「Z phase」輸出準位是「高準位」，如果要「低準位」輸出請訂「ZL」形式。

## Electrical Specification / 電氣規格

Output model	輸出型式	NPN	PNP	Line Driver
Operating voltage	工作電壓	5 ~ 30VDC	5 ~ 30VDC	5VDC ±10%
Output method	輸出方式	NPN	PNP	Line driver IC
Response frequency	響應頻率	30K ~ 120K Hz		
Current consumption	耗電流	40 mA max.		
Ripple of power	電源漣波	10 peak to peak		
Output current	輸出電流	100mA max.		20mA max.
Protection circuit	保護回路	Short circuit & polarity reversed		Polarity reversed
Voltage drop	輸出壓降	0.6V max.		
Residual voltage	殘餘電壓	0.1V max.		
Leakage current	洩漏電流	0.1mA max.		
Noise resistance	抗干擾	2kv / 1 μs		
Dielectric strength	電介強度	2.5kv / 1 minute min.		
Insulation strength	絕緣強度	100 MΩ / 500vdc		
Approval	安規	CE / RoHS		

## Mechanical Data & Environment Data / 環境規格 & 機械規格

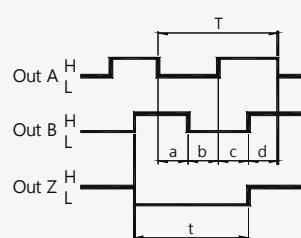
Type	Standard type			Heavy duty
Outline	30Φ	40Φ	50Φ	50Φ
Model	MEN	MES	MET	MET-□□□-E
Starting torque	20 gf-cm max.	30 gf-cm max	30 gf-cm max	260 gf-cm max
Shaft moment of inertial	6 g-cm <sup>2</sup> max	8 g-cm <sup>2</sup> max.	8 g-cm <sup>2</sup> max	68 g-cm <sup>2</sup> max
Shaft loading(Radial)	1kg max.	2 kg max.	2 kg max.	10 kg max.
Shaft loading(Axial)	0.5 kg max.	1 kg max.	1 kg max.	5 kg max.
Rotational speed max.	6000 RPM			
Housing material	Intensive PPS			
Shaft material	SUS-316			
Vibration resistance	10 ~ 55 Hz / 1.5 mm ; 2Hr/ X.Y.Z direction each			
Shock resistance	490m/s <sup>2</sup> with 11ms in X.Y.Z direction 3times each			
Operating circumstance	-25°C ~ +70°C ; 85%RH max.			
Protection class	IP-64			

## Connections / 接線圖

Line driver (差動式)			
Color	Description	Color	Description
Brown	+ V (1)	Blue	0 V(3)
Black	Phase A (4)	Blue/Red	Phase A(9)
White	Phase B (2)	White/Red	Phase B(10)
Yellow	Phase Z (5)	Yellow/Red	Phase Z(11)

## Output timing chart / 輸出時序圖

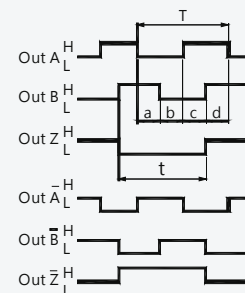
NPN / PNP



$$* a = b = c = d = T/4 \quad T/8$$

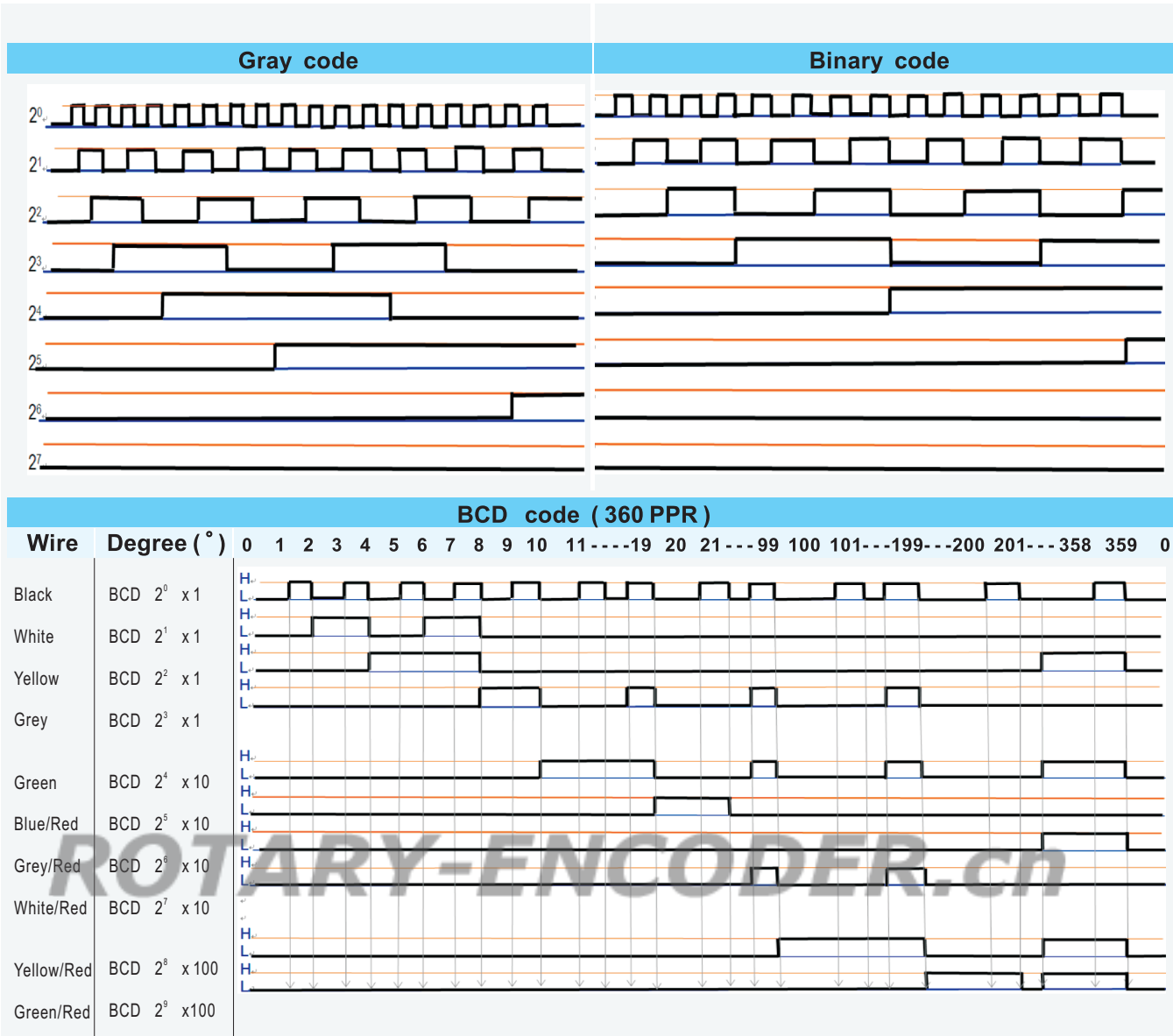
$$* T/3/4 < t < T$$

Line driver



$$* a = b = c = d = T/4 \quad T/8; T/3/4 < t < 1$$

■ Electrical Specification / 電氣規格



■ How to set the Zero point of Absolute Encoder

Please open the wire of Zero in with the 0V after connecting while in power on status. Note that Zero in must be opened in operating status.

「送電中」請將「Zero in 和「0V 接觸後即可將絕對值式譯碼器歸零。  
請注意運轉操作中「Zero in 不可和「0V 接在一起！

■ How to set the Direction of Absolute Encoder CW/CCW setting

Please connect the wire of Zero in with the 0V before turning power on . then open the wire of Zero in with the 0V after power on over 10 seconds. direction of CW/CCW will be changed.

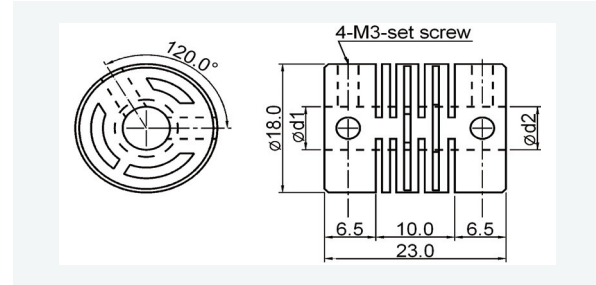
**Note that Zero in must be opened in operating status.**

可切換「CW/CCW 方向。請注意運轉操作中「Zero in 不可和「0V 接在一起！

「送電前」請將「Zero in 和「0V 接在一起，送電10秒以上再拆開「Zero in 和「0V 。

Electrical Specification / 電氣規格

Model	型號	G2J-66	G2J-68	G2J-88
Diameter d1	軸徑	6.0mm	6.0mm	8.0mm
Diameter d2	軸徑	6.0mm	8.0mm	8.0mm
Outline diameter	外徑	18.0mm		
Outline length	長度	23.0mm		
Set screw	固定螺絲	M3 x 4		
Material	材質	Intensive Polyimide		



Outline dimension / 外形圖

